

CATALOG LISTING
US SERIES CHART 2

ISSUE
3

REVISIONS
A C094774
TSM
2A/6599

PTC/CAD 2D
DRAWN
TSM 29 JUL 99

US SERIES
CHT 2

REPLACES

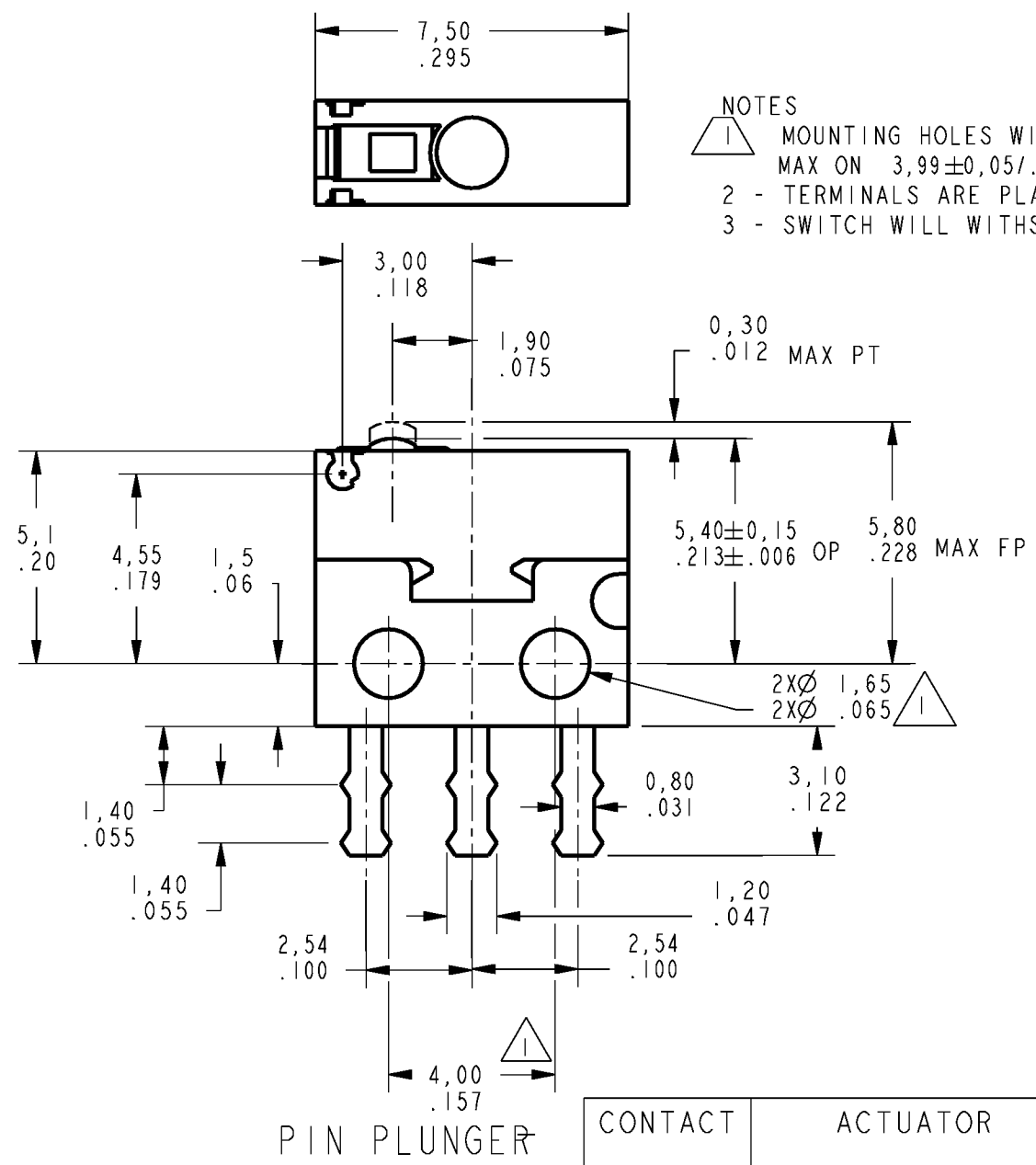
RELEASE NO. CO-78499

PAGE 1 OF 1

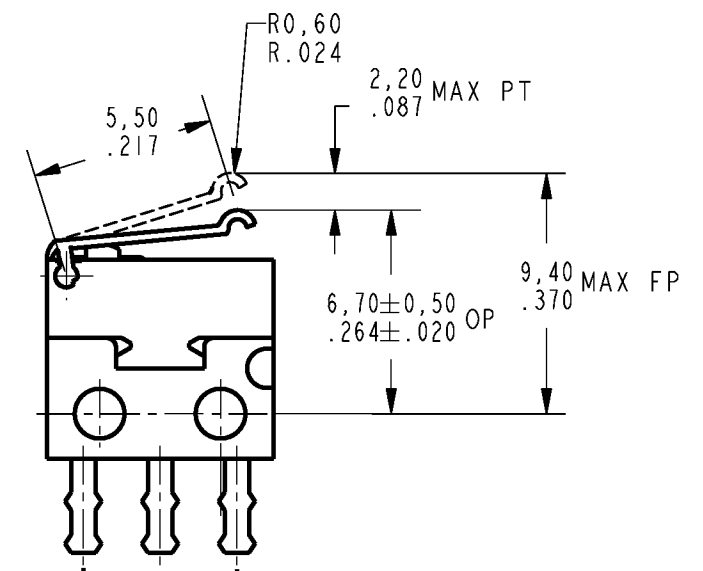
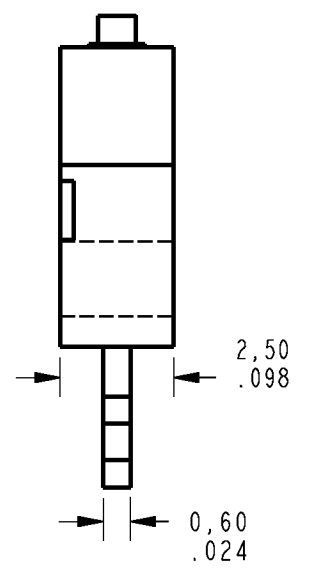
CHECK

CHECK

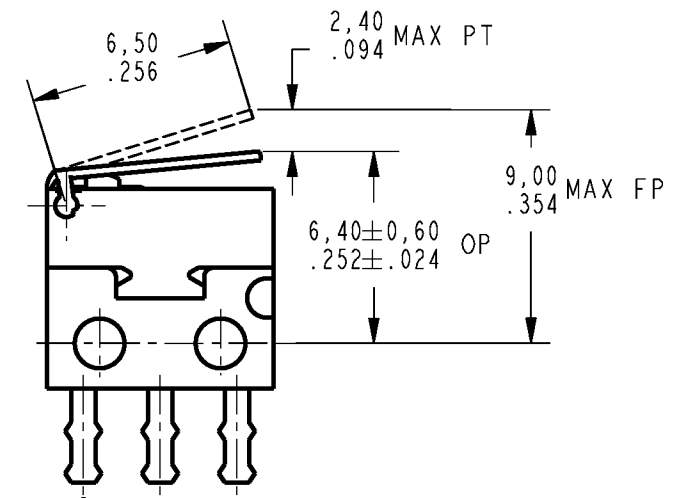
CHECK



- NOTES**
- 1 MOUNTING HOLES WILL ACCEPT PINS OR SCREWS OF $\varnothing 1.40$ MAX ON $3.99 \pm 0.05 / .157 \pm .002$ CENTERS
 - 2 - TERMINALS ARE PLATED FOR SOLDERING
 - 3 - SWITCH WILL WITHSTAND A TEMPERATURE OF $82.2^\circ \text{C} / 180^\circ \text{F}$



SIMULATED ROLLER LEVER
SCALE 4:1



FLAT LEVER
SCALE 4:1

PIN PLUNGER

CONTACT TYPE	ACTUATOR TYPE	CAT. LISTING	SOLDER TERMINAL CHARACTERISTICS						
			OPERATING FORCE MAX	RELEASE FORCE MIN	PRE-TRAVEL MAX	DIFFERENTIAL TRAVEL MAX	OVER-TRAVEL MIN	OPERATING POSITION	FREE POSITION MAX
			grams OUNCES	grams OUNCES	mm INCHES	mm INCHES	mm INCHES	mm INCHES	mm INCHES
SILVER	PIN PLUNGER	(A)	100 3.527	10 .353	0.3 .012	0.1 .004	0.1 .004	5.40 ± 0.15 .213 ± .006	5.80 .228
	FLAT LEVER	(A)	25 .862	2.0 .035	2.4 .094	0.7 .028	0.4 .016	6.40 ± 0.60 .252 ± .024	9.00 .354
	SIM ROLLER LEVER	US20D10E00	30 1.058	2.0 .035	2.2 .087	0.7 .028	0.3 .012	6.70 ± 0.50 .264 ± .020	9.40 .370
GOLD	PIN PLUNGER	(A)	100 3.527	10 .353	0.3 .012	0.1 .004	0.1 .004	5.40 ± 0.15 .213 ± .006	5.80 .228
	FLAT LEVER	US10D10C00	25 .862	2.0 .035	2.4 .094	0.7 .028	0.4 .016	6.40 ± 0.60 .252 ± .024	9.00 .354
	SIM ROLLER LEVER	US10D10E00	30 1.058	2.0 .035	2.2 .087	0.7 .028	0.3 .012	6.70 ± 0.50 .264 ± .020	9.40 .370

ANSI Y14.5M-1982 APPLIES

THIRD ANGLE PROJECTION

SCALE 6 : 1

DO NOT SCALE PRINT

TOLERANCES
APPLY TO DESIGN UNITS. CONVERSIONS ARE ONLY FOR REFERENCE. UNLESS NOTED, TOLERANCES ARE ±

DIM.	TOL.	DIM.	TOL.
mm	mm/in	in	mm/in
NO PLACES	X 1/.04	X.X	0.8/.03
ONE PLACE	X.X 0.4/.016	X.XX	0.38/.015
TWO PLACES	X.XX 0.15/.006	X.XXX	0.13/.005
THREE PLACES			
ANGLES			

DESIGN UNITS SI METRIC US CUSTOMARY

WEIGHT